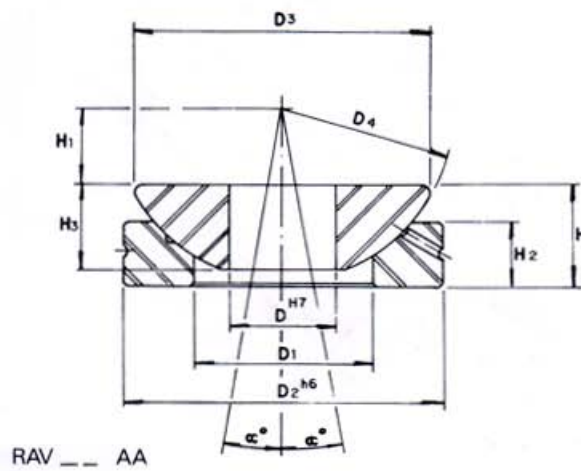




RÓTULAS AXIAIS SÉRIE AA

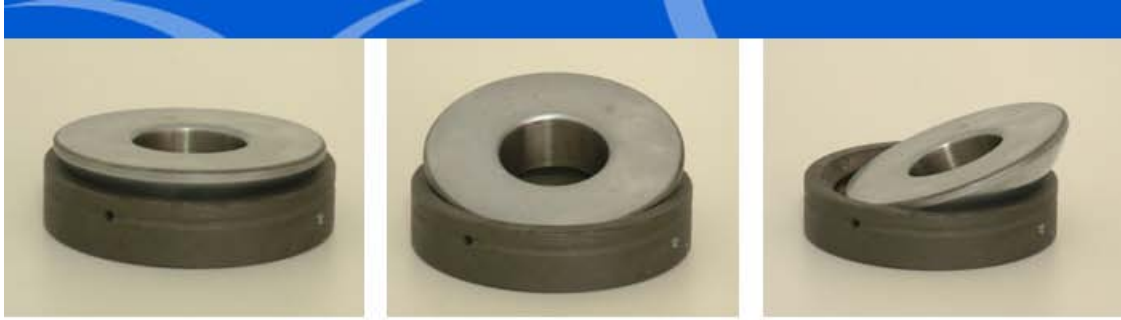


FABRICAÇÃO SOB-CONSULTA
E LOTE MÍNIMO

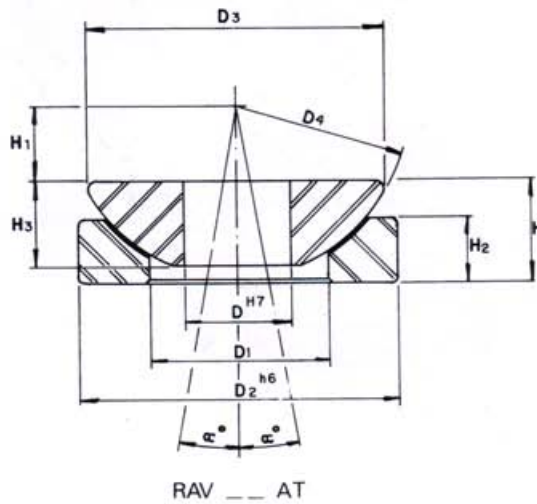
SUPERFÍCIE DE FRICÇÃO AÇO/AÇO

DIMENSÕES										CAPAC. DE CARGA		PESO	DESIGNAÇÃO
D ₁	D	D ₂	D ₃	D ₄	H	H ₁	H ₂	H ₃	α°	DINÂM.	ESTÁT.		
27,0	17	47	43,5	52	16,0	11,0	11,2	11,8	10	3.880	23.280	0,14	RAV 17 AA
31,0	20	55	50,0	60	20,0	12,5	13,8	14,5	9	5.000	30.000	0,25	RAV 20 AA
34,5	25	62	58,5	68	22,5	14,0	16,7	16,5	7	7.700	46.200	0,42	RAV 25 AA
42,0	30	75	70,0	82	26,0	17,5	19,0	19,0	7	10.400	62.400	0,61	RAV 30 AA
50,5	35	90	84,0	98	28,0	22,0	20,7	22,0	8	14.600	87.600	0,98	RAV 35 AA
59,0	40	105	97,0	114	32,0	24,5	21,5	27,0	9	19.000	114.000	1,50	RAV 40 AA
67,0	45	120	110,0	128	36,5	27,5	25,5	31,0	9	24.500	147.000	2,25	RAV 45 AA
70,0	50	130	120,0	139	42,5	30,0	30,5	33,0	7	29.600	177.600	3,15	RAV 50 AA
84,0	60	150	140,0	160	45,0	35,0	34,0	37,0	8	39.800	238.000	4,65	RAV 60 AA
94,5	70	160	153,0	176	50,0	35,0	36,5	42,0	8	50.000	300.000	5,40	RAV 70 AA
107,5	80	180	172,0	197	50,0	42,5	38,0	43,5	8	61.200	367.200	6,95	RAV 80 AA
127,0	100	210	198,0	222	59,0	45,0	46,0	51,0	8	78.000	468.000	11,00	RAV 100 AA
145,0	120	230	220,0	250	64,0	52,5	50,0	53,5	6	95.000	570.000	14,00	RAV 120 AA

Outras medidas ou construções poderão ser atendidas mediante consulta.



RÓTULAS AXIAIS SÉRIE AT



ESTA RÓTULA É AUTO LUBRIFICANTE
OBS. - NÃO DEVE SER LUBRIFICADA

FABRICAÇÃO SOB-CONSULTA
E LOTE MÍNIMO

SUPERFÍCIE DE FRICÇÃO AÇO/PTFE

DIMENSÕES										CAPAC. DE CARGA		PESO	DESIGNAÇÃO
D ₁	D	D ₂	D ₃	D ₄	H	H ₁	H ₂	H ₃	α°	DINÂM.	ESTÁT.	Kg	
										Kgf	Kgf	Kg	
27,0	17	47	43,5	52	16,0	11,0	11,2	11,8	10	3.880	6.230	0,14	RAV 17 AT
31,0	20	55	50,0	60	20,0	12,5	13,8	14,5	9	5.000	8.200	0,25	RAV 20 AT
34,5	25	62	58,5	68	22,5	14,0	16,7	16,5	7	7.700	12.200	0,42	RAV 25 AT
42,0	30	75	70,0	82	26,0	17,5	19,0	19,0	7	10.400	16.600	0,61	RAV 30 AT
50,5	35	90	84,0	98	28,0	22,0	20,7	22,0	8	14.600	23.300	0,98	RAV 35 AT
59,0	40	105	97,0	114	32,0	24,5	21,5	27,0	9	19.000	30.600	1,50	RAV 40 AT
67,0	45	120	110,0	128	36,5	27,5	25,5	31,0	9	24.500	38.800	2,25	RAV 45 AT
70,0	50	130	120,0	139	42,5	30,0	30,5	33,0	7	29.600	47.400	3,15	RAV 50 AT
84,0	60	150	140,0	160	45,0	35,0	34,0	37,0	8	39.800	64.300	4,65	RAV 60 AT
94,5	70	160	153,0	176	50,0	35,0	36,5	42,0	8	50.000	79.600	5,40	RAV 70 AT
107,5	80	180	172,0	197	50,0	42,5	38,0	43,5	8	61.200	97.000	6,95	RAV 80 AT
127,0	100	210	198,0	222	59,0	45,0	46,0	51,0	8	78.000	124.500	11,00	RAV 100 AT
145,0	120	230	220,0	250	64,0	52,5	50,0	53,5	6	95.000	150.000	14,00	RAV 120 AT

Outras medidas ou construções poderão ser atendidas mediante consulta.